



Circuit breaker size S00 for motor protection, CLASS 10 A-release 1.8...2.5 A N-release 33 A screw terminal Standard switching capacity

| | |
|---------------------------------|----------------------|
| product brand name | SIRIUS |
| product designation | Circuit breaker |
| design of the product | For motor protection |
| product type designation | 3RV2 |

General technical data

| | |
|---|-------------------|
| size of the circuit-breaker | S00 |
| size of contactor can be combined company-specific | S00, S0 |
| product extension auxiliary switch | Yes |
| power loss [W] for rated value of the current | |
| • at AC in hot operating state | 7.25 W |
| • at AC in hot operating state per pole | 2.4 W |
| insulation voltage with degree of pollution 3 at AC rated value | 690 V |
| surge voltage resistance rated value | 6 kV |
| shock resistance according to IEC 60068-2-27 | 25g / 11 ms |
| mechanical service life (operating cycles) | |
| • of the main contacts typical | 100 000 |
| • of auxiliary contacts typical | 100 000 |
| electrical endurance (operating cycles) typical | 100 000 |
| type of protection according to ATEX directive 2014/34/EU | Ex II (2) GD |
| certificate of suitability according to ATEX directive 2014/34/EU | DMT 02 ATEX F 001 |
| reference code according to IEC 81346-2 | Q |
| Substance Prohibitance (Date) | 10/01/2009 |

Ambient conditions

| | |
|---|----------------|
| installation altitude at height above sea level maximum | 2 000 m |
| ambient temperature | |
| • during operation | -20 ... +60 °C |
| • during storage | -50 ... +80 °C |
| • during transport | -50 ... +80 °C |
| relative humidity during operation | 10 ... 95 % |

Main circuit

| | |
|--|---------------|
| number of poles for main current circuit | 3 |
| adjustable current response value current of the current-dependent overload release | 1.8 ... 2.5 A |
| operating voltage | |
| • rated value | 20 ... 690 V |
| • at AC-3 rated value maximum | 690 V |
| • at AC-3e rated value maximum | 690 V |
| operating frequency rated value | 50 ... 60 Hz |
| operational current rated value | 2.5 A |

| | |
|---------------------------------|---------|
| operational current | |
| • at AC-3 at 400 V rated value | 2.5 A |
| • at AC-3e at 400 V rated value | 2.5 A |
| operating power | |
| • at AC-3 | |
| — at 230 V rated value | 0.4 kW |
| — at 400 V rated value | 0.75 kW |
| — at 500 V rated value | 1.1 kW |
| — at 690 V rated value | 1.5 kW |
| • at AC-3e | |
| — at 230 V rated value | 0.4 kW |
| — at 400 V rated value | 0.75 kW |
| — at 500 V rated value | 1.1 kW |
| — at 690 V rated value | 1.5 kW |
| operating frequency | |
| • at AC-3 maximum | 15 1/h |
| • at AC-3e maximum | 15 1/h |

Auxiliary circuit

| | |
|---|---|
| number of NC contacts for auxiliary contacts | 0 |
| number of NO contacts for auxiliary contacts | 0 |
| number of CO contacts for auxiliary contacts | 0 |

Protective and monitoring functions

| | |
|--|----------|
| product function | |
| • ground fault detection | No |
| • phase failure detection | Yes |
| trip class | CLASS 10 |
| design of the overload release | thermal |
| maximum short-circuit current breaking capacity (Icu) | |
| • at AC at 240 V rated value | 100 kA |
| • at AC at 400 V rated value | 100 kA |
| • at AC at 500 V rated value | 100 kA |
| • at AC at 690 V rated value | 10 kA |
| operating short-circuit current breaking capacity (Ics) at AC | |
| • at 240 V rated value | 100 kA |
| • at 400 V rated value | 100 kA |
| • at 500 V rated value | 100 kA |
| • at 690 V rated value | 10 kA |
| response value current of instantaneous short-circuit trip unit | 33 A |

UL/CSA ratings

| | |
|---|---------|
| full-load current (FLA) for 3-phase AC motor | |
| • at 480 V rated value | 2.5 A |
| • at 600 V rated value | 2.5 A |
| yielded mechanical performance [hp] | |
| • for single-phase AC motor | |
| — at 230 V rated value | 0.17 hp |
| • for 3-phase AC motor | |
| — at 200/208 V rated value | 0.5 hp |
| — at 220/230 V rated value | 0.5 hp |
| — at 460/480 V rated value | 1 hp |
| — at 575/600 V rated value | 1.5 hp |

Short-circuit protection

| | |
|--|------------|
| product function short circuit protection | Yes |
| design of the short-circuit trip | magnetic |
| design of the fuse link for IT network for short-circuit protection of the main circuit | |
| • at 400 V | gL/gG 25 A |
| • at 500 V | gL/gG 25 A |
| • at 690 V | gL/gG 20 A |

Installation/ mounting/ dimensions

| | |
|--------------------------|--|
| mounting position | any |
| fastening method | screw and snap-on mounting onto 35 mm DIN rail according to DIN EN |

| | |
|--|--|
| height | 60715 |
| width | 97 mm |
| depth | 45 mm |
| required spacing | 97 mm |
| <ul style="list-style-type: none"> ● with side-by-side mounting at the side ● for grounded parts at 400 V <ul style="list-style-type: none"> — downwards — upwards — at the side ● for live parts at 400 V <ul style="list-style-type: none"> — downwards — upwards — at the side ● for grounded parts at 500 V <ul style="list-style-type: none"> — downwards — upwards — at the side ● for live parts at 500 V <ul style="list-style-type: none"> — downwards — upwards — at the side ● for grounded parts at 690 V <ul style="list-style-type: none"> — downwards — upwards — backwards — at the side — forwards ● for live parts at 690 V <ul style="list-style-type: none"> — downwards — upwards — backwards — at the side — forwards | 0 mm 30 mm 30 mm 9 mm 30 mm 30 mm 9 mm 30 mm 30 mm 9 mm 50 mm 50 mm 0 mm 30 mm 0 mm 50 mm 50 mm 0 mm 30 mm 0 mm |

Connections/ Terminals

| | |
|---|--|
| type of electrical connection | screw-type terminals |
| <ul style="list-style-type: none"> ● for main current circuit | Top and bottom |
| arrangement of electrical connectors for main current circuit | |
| type of connectable conductor cross-sections | |
| <ul style="list-style-type: none"> ● for main contacts <ul style="list-style-type: none"> — solid or stranded — finely stranded with core end processing ● at AWG cables for main contacts | 2x (0,75 ... 2,5 mm ²), 2x 4 mm ² 2x (0.5 ... 1.5 mm ²), 2x (0.75 ... 2.5 mm ²) 2x (18 ... 14), 2x 12 |
| tightening torque | |
| <ul style="list-style-type: none"> ● for main contacts with screw-type terminals | 0.8 ... 1.2 N·m |
| design of screwdriver shaft | Diameter 5 to 6 mm |
| size of the screwdriver tip | Pozidriv size 2 |
| design of the thread of the connection screw | |
| <ul style="list-style-type: none"> ● for main contacts | M3 |

Safety related data

| | |
|---|--|
| B10 value | |
| <ul style="list-style-type: none"> ● with high demand rate according to SN 31920 | 5 000 |
| proportion of dangerous failures | |
| <ul style="list-style-type: none"> ● with low demand rate according to SN 31920 ● with high demand rate according to SN 31920 | 50 % 50 % |
| failure rate [FIT] | |
| <ul style="list-style-type: none"> ● with low demand rate according to SN 31920 | 50 FIT |
| T1 value for proof test interval or service life according to IEC 61508 | 10 y |
| protection class IP on the front according to IEC 60529 | IP20 |
| touch protection on the front according to IEC 60529 | finger-safe, for vertical contact from the front |
| display version for switching status | Handle |

Certificates/ approvals

General Product Approval



[Confirmation](#)



[KC](#)



For use in hazardous locations



IECEX



ATEX



Declaration of Conformity



EG-Konf.

Test Certificates

[Special Test Certificate](#)

[Type Test Certificate/Test Report](#)

Marine / Shipping



ABS



BUREAU
VERITAS



DNV



LRS



PRS



RINA

Marine / Shipping

other

Railway



RMRS

[Confirmation](#)



VDE

[Confirmation](#)

[Vibration and Shock](#)

Further information

Information- and Downloadcenter (Catalogs, Brochures,...)

<https://www.siemens.com/ic10>

Industry Mall (Online ordering system)

<https://mall.industry.siemens.com/mall/en/en/Catalog/product?mlfb=3RV2011-1CA10>

Cax online generator

<http://support.automation.siemens.com/WW/CAXorder/default.aspx?lang=en&mlfb=3RV2011-1CA10>

Service&Support (Manuals, Certificates, Characteristics, FAQs,...)

<https://support.industry.siemens.com/cs/ww/en/ps/3RV2011-1CA10>

Image database (product images, 2D dimension drawings, 3D models, device circuit diagrams, EPLAN macros, ...)

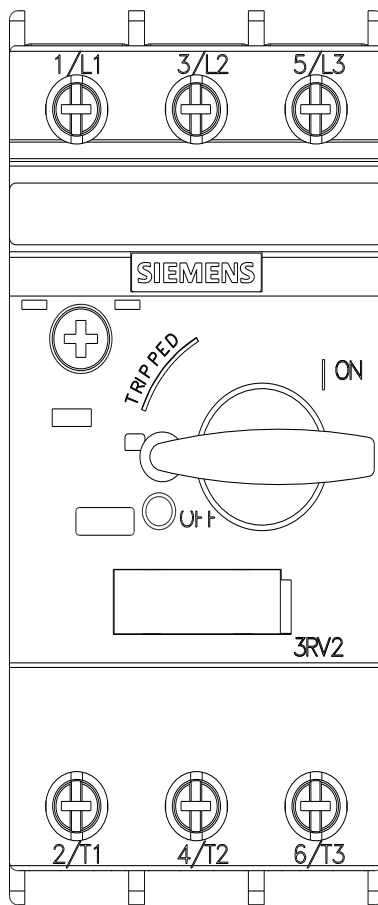
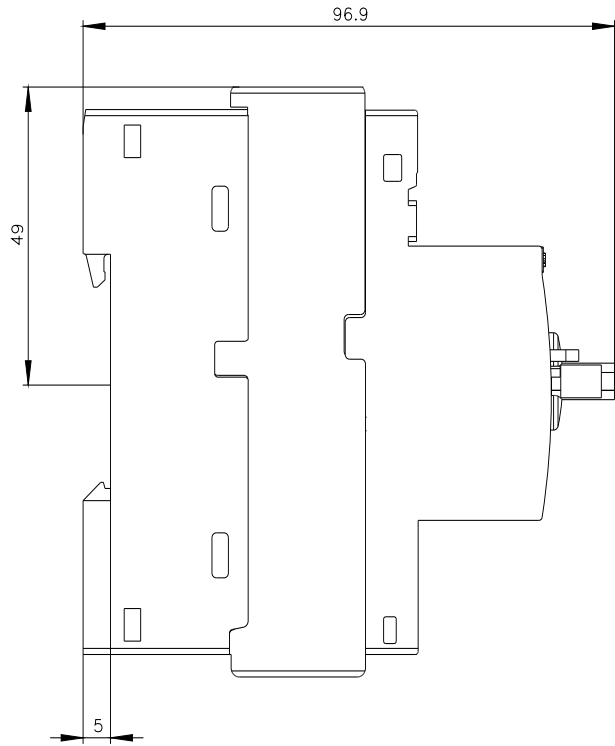
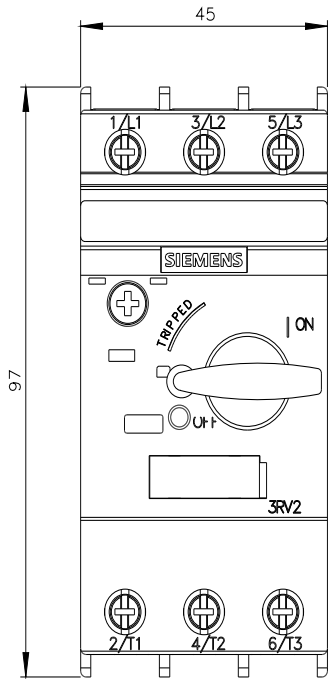
http://www.automation.siemens.com/bilddb/cax_de.aspx?mlfb=3RV2011-1CA10&lang=en

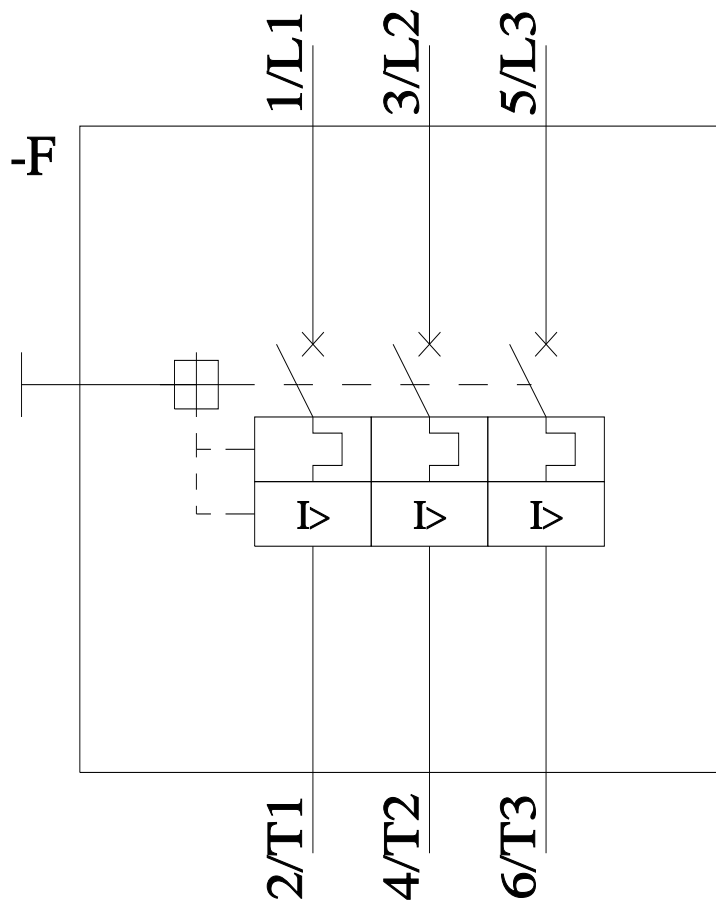
Characteristic: Tripping characteristics, I²t, Let-through current

<https://support.industry.siemens.com/cs/ww/en/ps/3RV2011-1CA10/char>

Further characteristics (e.g. electrical endurance, switching frequency)

<http://www.automation.siemens.com/bilddb/index.aspx?view=Search&mlfb=3RV2011-1CA10&objecttype=14&gridview=view1>





last modified:

11/21/2022 